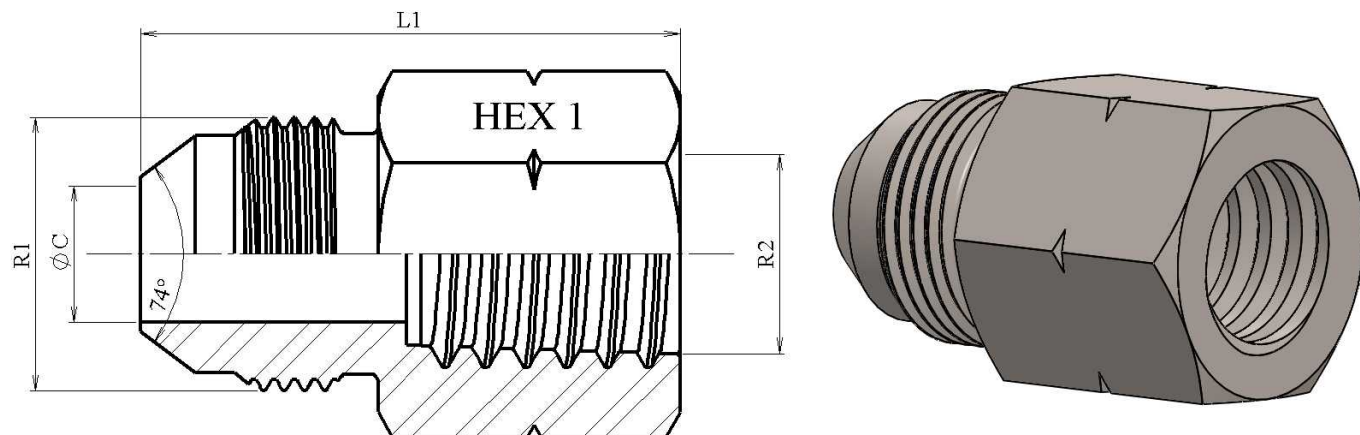


Racores JIC 37º

Uniones rectas JIC 37º

Racor macho JIC 37º - hembra fija NPT

Acero Inoxidable AISI 316-L



Artículo	ØD1	ØD2	R1	R2	L1	HEX 1	ØC
ZS2950610	6	1/4"	7/16"-20h UNF	1/8 NPT	29	14	4,5
ZS2950613	6	1/4"	7/16"-20h UNF	1/4 NPT	36,5	19	4,5
ZS2950813	8	5/16"	1/2"-20h UNF	1/4 NPT	36,5	19	6
ZS2950817	8	5/16"	1/2"-20h UNF	3/8 NPT	36,5	22	6
ZS2951013	10	3/8"	9/16"-20h UNF	1/4 NPT	36,5	19	6
ZS2951017	10	3/8"	9/16"-20h UNF	3/8 NPT	35	22	6
ZS2951213	12	1/2"	3/4"-20h UNF	1/4 NPT	39	22	9,5
ZS2951217	12	1/2"	3/4"-20h UNF	3/8 NPT	37,5	22	9,5
ZS2951221	12	1/2"	3/4"-20h UNF	1/2" NPT	45	30	9,5
ZS2951621	14-15-16	5/8"	7/8"-14h UNF	1/2" NPT	48	30	12
ZS2952026	18-20	3/4"	1"1/16-12h UNF	3/4" NPT	48,5	36	15,5
ZS2952033	18-20	3/4"	1"1/16-12h UNF	1" NPT	50,5	41	15,5
ZS2952533	25	1"	1"5/16-12 UNF	1" NPT	51,5	41	21,5
ZS2952542	25	1"	1"5/16-12 UN	1"1/4 NPT	55	50	21,5